

CI/SfB	(31)	Zt4
CAW P10		
Uniclass L675:P91		
June 2011		

TP450 Compriband Timber Max

Impregnated Sealing Tape for Joints with Significant Movement

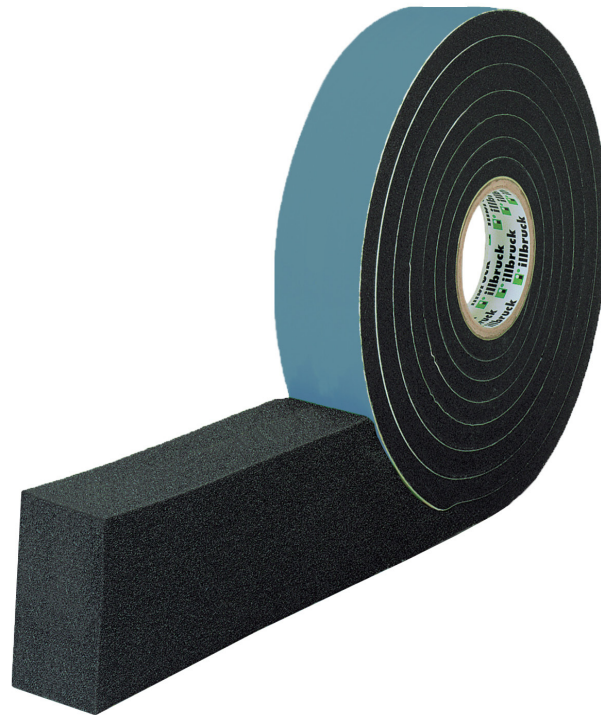
KEY BENEFITS SUMMARY

- Accommodates up to 37 mm of joint movement within a maximum 50 mm wide gap
- Weather seal for wind-driven rain
- Can accommodate differential movement on timber frame construction up to 5 storeys
- Seals effectively – no remedial visits or wet sealants
- Breathable – for vapour diffusion
- Continually expands and contracts to accommodate movement whilst still sealing the joints
- Easy to apply in any weather
- Self-adhesive side to aid initial location
- Thermal and acoustic insulation
- Can be painted with commercially available vinyl emulsions

PRODUCT INFORMATION

Description

illbruck TP450 Compriband Timber Max is an impregnated joint sealing tape for use in a wide variety of movement joints up to 50 mm wide and can accommodate up to 37 mm of movement. Weather tight against the most severe combinations of wind and rain, it satisfies most expectations as an external weather seal in building and civil engineering applications, with particular suitability for sealing the head and cills of windows installed in timber frame construction. The product has been extensively tested and has a proven reputation across both the UK and Europe.



Material

A soft and flexible open cell polyurethane foam, impregnated with an acrylic based, UV stabilised resin. The resin is water repellent and contains a fire retardant.

Colour

Anthracite

Packaging

Supplied as pre-compressed rolls with a self-adhesive side to aid initial location. Roll Length: 5.2m

Dimensions

40/13 – 40

Tape width 40 mm. For joints where the gap will vary between 13 & 40mm.

50/13 – 50

Tape width 50 mm. For joints where the gap will vary between 13 & 50mm.

Application Instructions

- Detailed application instructions are available and provided with every order.
- Before installation, measure the width of the joint and ensure the total movement, after any settlement, is within the capacity of the selected tape size (Fig 1 & 2).
- Cut off the preliminary strip and the opening wedge at the start of the roll.
- If installing tape into a construction joint, it may be applied either horizontally or vertically (from bottom to top.) However, when applying to a door or window frame the horizontal seals must be applied before the vertical ones (Fig 4). Tape must be applied with the adhesive side to the frame when working with fenestration but may be applied in any order when working with construction joints. In both cases, do not stretch the tape. When

TP450 Compriband Timber Max

Technical Data

Category	Standard	Classification
Material		Polyurethane cellular foam, impregnated with a modified flame retardant artificial resin
Building Classification	DIN 4102	impregnated with a modified flame retardant artificial resin B1, self-extinguishing, P-NDS 04-229
Thermal Conductivity	DIN 52612	$\lambda_{10} < 0.055 \text{ W/m/K}$
Vapour Resistivity	DIN 52615	$\mu < 100$
Working Temperature Range		-30°C to +90°C
Resistance to Root Penetration	DIN 4062	The requirements of DIN standards are met
Air Permeability	EN42/DIN 18055	$a < 0.1 \text{ m}^3 / [\text{h.m.}(\text{daPa})^n]$
Weathering Test	DIN 53387	The requirements of DIN standards are met
Weathertight Against Driving Rain	EN 86/DIN 52453	The requirements of the DIN standard are met up to the described joint sizes, giving a minimum of 450 Pa, independently supervised by MPA Hannover
Compatibility with Conventional Construction Methods	DIN 52453	No signs of corrosion observed on iron, zinc, steel, galvanised steel, aluminium and copper. No adverse effects with concrete, aerated concrete, brick, some stones, PVC, Plexiglas or timber
Life Expectancy		> 25 years

- working in damp or cold conditions a wood wedge should be used to hold the tape in position until it is expanded (Fig 3). Ensure the tape is recessed by a minimum of 2mm from the front of the joint.
- When calculating the length of tape to be fitted, add 10 mm/m to the actual joint length. Be sure to measure the opening and not the window.
 - At the end of a roll, cut off the tape wedge finish. Repeat the process with a new roll, making a close compressed butt connection as shown in Fig 3.
 - If the seal is to be weather tested using the standard hose test, we recommend that the tape should be allowed 7 - 10 days conditioning in the joint before testing.

- If using illbruck TP601 Compriband e to seal the window jambs (in conjunction with illbruck TP450 Compriband Timber Max to head and cill), cut and apply the illbruck TP601 Compriband e to the full height dimension of the frame. Cut and apply the illbruck TP450 Timber Max to span the full opening width, thereby covering the cut ends of the illbruck TP601 Compriband e. Ensure that the front (external) edges of both products are positioned in the same plane to achieve a continuous seal.

NB: If considering CWCT hose test, please refer to technical department for advice.

Health & Safety Precautions

Product Safety Data Sheets must be read and understood before use.

Storage

Store rolls horizontally between +1°C and +25°C in dry conditions and away from direct sunlight. Re-seal packaging between use to prevent expansion during storage.

Shelf Life

2 years when stored in its original unopened containers.

TP450 Compriband Timber Max

Tremco illbruck Limited
3A Walton Road, Pattinson North
Washington, Tyne & Wear NE38 8QA
Tel: 0191 419 0505 Fax: 0191 419 2200
Email: uk.sales@tremco-illbruck.com
Website: www.tremco-illbruck.co.uk

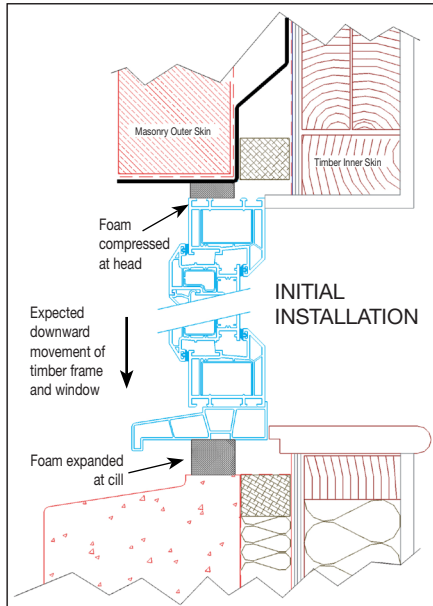


Fig 1 - Location of Timber Max at initial installation

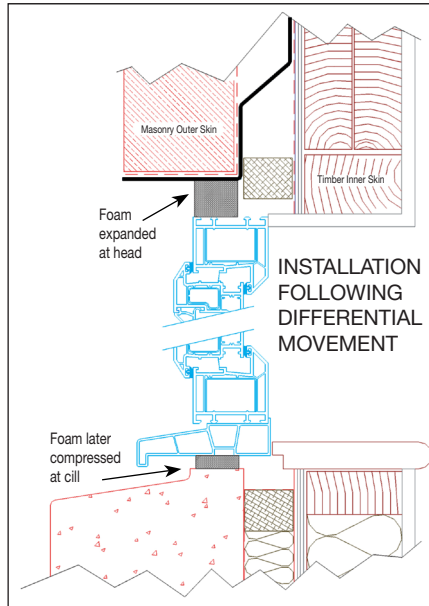


Fig 2 - Expansion and compression of Timber Max after frame movement

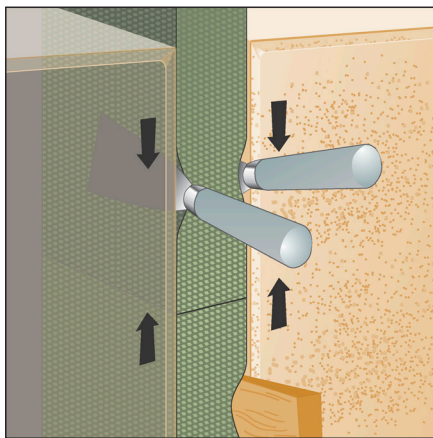


Fig 3 - Compression of tape to make watertight butt joints

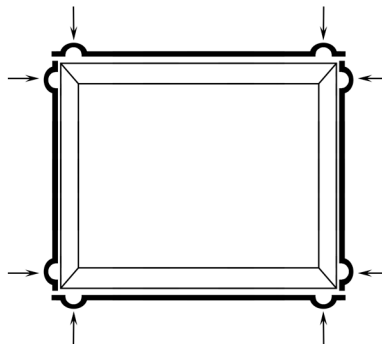


Fig 4 - Tape application at corners (Note: oversize length 10mm/m)

Technical Service

Tremco illbruck has a team of experienced Technical Sales Representatives who provide assistance in the selection and specification of products. For more detailed information, service and advice, please call Customer Services on 0191 419 0505.

Guarantee / Warranty

Tremco illbruck products are manufactured to rigid standards of quality. Any product which has been applied (a) in accordance with Tremco illbruck written instructions and (b) in any application recommended by Tremco illbruck, but which is proved to be defective, will be replaced free of charge.

No liability can be accepted for the information provided in this leaflet although it is published in good faith and believed to be correct.

Tremco illbruck Limited reserves the right to alter product specifications without prior notice, in line with Company policy of continuous development and improvement.